

# DESIGN & ANALYSIS OF VORTEX BLADELESS TURBINE WITH GYRO E-GENERATOR

Abhijit Mane<sup>1</sup>, Manoj Kharade<sup>2</sup>, Pravin Sonkambale<sup>3</sup>,

Shubham Tapase<sup>4</sup>, Sachin S. Kudte<sup>5</sup>

<sup>1,2,3,4</sup>B.E Mechanical Students G.S.M.COE Balewadi Pune

<sup>5</sup>Assistant Professor G.S.M.COE Balewadi Pune

## ABSTRACT

Wind turbines are considered to be only 59 % efficient (Ref :Betz, law), and moreover with large rotors a large area wake formation means that spacing between two turbines has to be kept very large, hence the conventional method of wind power generation has to go through again with an innovative approach. The bladeless vortex turbine is one such concept that uses the principle of aero-elasticity and thereby the variations produced by it to generate electricity. Project work will include the design and development of a vortex wind bladeless turbine and a gyro-action based e-generator to be coupled to it to generate the electricity. Prototype development will be done using 3-D printing for the vortex turbine and the e-generator to make a scaled working model that will demonstrate electricity generation and testing will be done on the same to determine the effect of wind speed on, turbine speed, voltage, current and power generated by the model.

## I. INTRODUCTION

Wind power has become a legitimate source of energy over the past few decades as larger, more efficient turbine designs have produced ever-increasing amounts of power. But even though the industry saw a record 6,730 billion global investment in 2014, turbine growth may be reaching its limits.

Bladeless turbines will generate electricity for 40 percent lesser in cost compared with conventional wind turbines. In conventional wind power generation transportation is increasingly challenging because of the size of the components: individual blades and tower sections often require specialized trucks and straight, wide roads. Today's wind turbines are also incredibly top heavy. Generators and gearboxes sitting on support towers 100 meters off the ground can weigh more than 100 tons. As the weight and height of turbines increase, the materials costs of wider, stronger support towers, as well as the cost of maintaining components housed so far from the ground, are cutting into the efficiency benefits of larger turbines.

The alternative energy industry has repeatedly tried to solve these issues to no avail. But this latest entry promises a radically different type of wind turbine: a bladeless cylinder that oscillates or vibrates.

The Bladeless Turbine harnesses vorticity, the spinning motion of air or other fluids. When wind passes one of the cylindrical turbines, it shears off the downwind side of the cylinder in a spinning whirlpool or vortex. That vortex then exerts force on the cylinder, causing it to vibrate. The kinetic energy of the oscillating cylinder is converted to electricity through a linear generator similar to those used to harness wave energy. It consists of a conical cylinder fixed vertically with an elastic rod. The cylinder oscillates in the wind, which then generates electricity through a system of coils and magnets.

The outer conical cylinder is designed to be substantially rigid and has the ability to vibrate, remaining anchored to the bottom rod. The top of the cylinder is unconstrained and has the maximum amplitude of the oscillation. The structure is built using resins reinforced with carbon and/or glass fiber, materials used in conventional wind turbine blades.

The inner cylindrical rod, which will penetrate into the mast for 10% - 20% of its length (depending on the size of the mast), is anchored to it at its top and secured to the ground at its bottom part. It is built to provide highest resistance to the fatigue and allow its elasticity to absorb the vibrations generated by the cylinder.

A semi-rigid coupling allows the upper section of the turbine to flutter in the wind while a linear alternator housed in the lower section converts the movements into electricity. The bladeless wind generator generates electricity through a "classic" system of coils and magnet. The cost reductions come from reduced manufacturing costs: the tower and the generator equipment are, basically, one and the same. This allows us to bypass the need for a nacelle, the support mechanisms and the blades, that are the priciest components in the conventional wind generators. Manufacturing savings are roughly estimated at around 51 % of the usual wind turbine production cost. The manufacturing, transportation, construction and assembly are also simplified and are typical for the wind industry.

The bladeless turbine currently takes up as much as 30% of the area of a conventional generator, with maximum amplitude around a diameter at the top. It can capture about 40% of the wind power contained in the air, which is a more than reasonable capacity, and at same height as many modern wind turbines. The system does lose some electrical conversion capacity (reaching 70% yield of a conventional alternator), because the design is so focused on avoiding and wear and tear. It aims to be a "greener" wind alternative.

The impact on the bird population is expected to be much smaller, because it doesn't require the same type or magnitude of movement as the traditional wind turbine, allowing for higher visibility. With the oscillation frequency of the equipment very low, the impact sound level is nonexistent, opening the possibility to make the future wind farms completely silent.

## II. HISTORY OF BLADELESS POWER GENERATION

The Vortex Street effect was first described and mathematically formalized by Theodore von Kármán, the genius of aeronautics, in 1911. This effect is produced by lateral forces of the wind on any fixed object immersed in a laminar flow. The wind flow bypasses the object, generating a cyclical pattern of vortices, which can become an engineering challenge for any vertical cylindrical structures, such as towers, masts and chimneys. The issue is that they may start vibrating, enter into resonance with the lateral forces of the wind, and ultimately, collapse. One of such examples is the collapse of three cooling towers of the power station Ferrybridge in 1965.

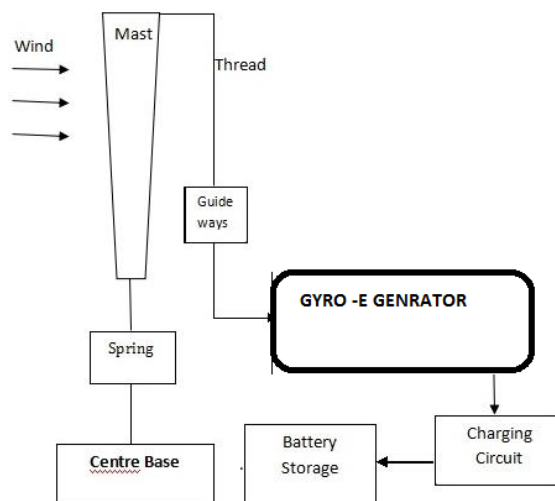
However, it is possible that the same forces can be captured to produce energy - the idea behind Vortex. When a semi-rigid structure enters into a horizontal laminar air flow, it begins to vibrate under the influence of the lateral forces generated by the vortex street. When the frequency of vortex occurrence in the atmosphere matches the natural frequency of the structure, it enters into resonance, maximizing the amplitude of vibration and coincidentally, the power generation capability we are interested in. The natural frequency of any object is limited and would only enter resonance and vibrate at certain wind speeds.

Bladeless Turbine buses a radically new approach to capturing wind energy. Our device captures the energy of vorticity, an aerodynamic effect that has plagued structural engineers and architects for ages (vortex shedding effect). As the wind bypasses a fixed structure, it's flow changes and generates a cyclical pattern of vortices. Once these forces are strong enough, the fixed structure starts oscillating, may enter into resonance with the lateral forces of the wind, and even collapse. There is a classic academic example of the Tacoma Narrows Bridge, which collapsed three months after it's inauguration because of the Vortex shedding effect as well as effects of fluttering and galloping.

Instead of avoiding these aerodynamic instabilities our technology maximizes the resulting oscillation and captures that energy. Naturally, the design of such device is completely different from a traditional turbine. Instead of the usual tower, nacelle and blades, our device has a fixed mast, a power generator and a hollow, lightweight and semi-rigid fiberglass cylinder on top.

### III. BLOCK DIAGRAM

The Fig. 1 shows the block diagram representation of bladeless power generation scheme. This explains the function of each block and their specifications.



#### A. Centre Base:

Base is made up of the rigid iron angular structure. The base provides equidistant point for the position of the mast. It is capable of tolerating the mechanical stress acting on it. This provides the strong foundation to the mast and spring.

#### B. Spring:

Spring is mounted at the centre of the mast which provides the oscillation of the mast in any of the direction. This spring is capable to withstand the weight of the mast.

#### C. Mast:

The mast is a conical shaped, rigid structure which oscillates when subjected to wind .The Mast is lighter in structure in order to increase the oscillations also decrease the mechanical stress on the suspension spring as well as the base.

## *D. Thread:*

The thread is used for the conversion of the linear motion of the mast to the rotational motion of the generator. Thread used is of nylon material which as a property of the non-elasticity. This thread is connected to the chain of the sprockets. These threads are connected to the chain using the guide ways to provide proper path to the thread.

## *E. Gyro e-generator*

Gyro generator is a variable transmission system based on gyroscopic reaction. GyroTorque is capable of large speed ratios, without the need to utilise gears for generating electricity from wind and wave power resources. The infinitely variable nature of GyroTorque means that more power from wind and wave sources can be captured and controlled to generate electricity at reduced costs. By not transmitting the peaks and troughs of wind gusts GyroTorque avoids severe mechanical and electrical loading from the turbine onto other parts of the system including the generator.

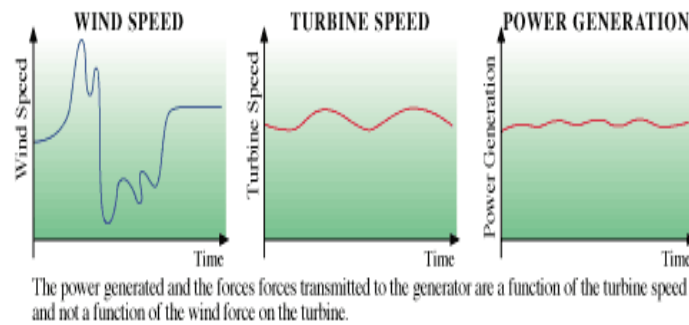
*L. Charging circuit:* The charging circuit use the micro controller which compare the generated voltage with a predefined value and controls the relays. The relays act as a switch which helps in charging only when power is adequate to charge the battery.

## *M. Battery:*

The battery used here is a 12V, 7.2Ah, lead-acid battery. This battery stores the charge when the power is being generated and gives power when winding the thread. This also powers the microcontroller and wireless receiver circuit.

## **IV. WORKING METHODOLOGY**

The main principle behind bladeless wind generator is the conversion of linear oscillation of mast to rotational motion. As the mast is subjected to wind energy, it tends to oscillate due to the vortices formed around the structure of the mast, which can be converted to rotational force to generate electricity. In the bladeless wind system configuration, the mast is fixed with respect to the ground and the rib structure at the top of the mast comprising of thread arrangement is used for pulling the threads attached to it. Energy is obtained by continuously oscillation of the mast The vibrations from the wind turbine are given to e-gyro generator. GyroTorque is a new type of infinitely variable transmission system based on gyroscopic reaction. GyroTorque is capable of large speed ratios, without the need to utilise gears for generating electricity from wind and wave power resources. The infinitely variable nature of GyroTorque means that more power from wind and wave sources can be captured and controlled to generate electricity at reduced costs. By not transmitting the peaks and troughs of wind gusts GyroTorque avoids severe mechanical and electrical loading from the turbine onto other parts of the system including the generator.



## Other unique features of Gyro Torque:

1. Significant torque can be applied to a stationary output shaft with insignificant loss of energy.
2. Ability to operate over a full speed range (i.e. zero to full speed) at high efficiency/minimal losses.
3. Ability to decouple and control the transmission with minimal effort for maintenance purposes and variable operation.
4. Ability to operate two or more GyroTorque units in parallel if required to achieve high transmission capacity.
5. The transmission and generator can be at ground level if desired.

Spontaneous storage of excess energy by the inertia of the turbine, if desired.

## Understanding GyroTorque™ Technology

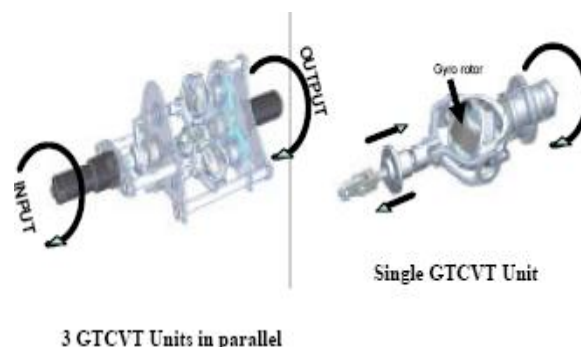
Variable transmissions can be classified into two types –

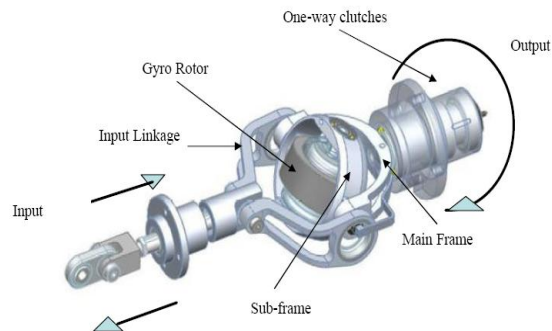
Static and Kinetic.

In the **static type** the input torque is transmitted to the output by a ratio called a speed ratio, meaning that input is directly linked to the output via some form of physical constraint such as gears or belts.

In the **kinetic type** this does not occur; rather power transmission torque is generated within the transmission. This means that the input and output can move independently of each other with no physical constraint.

**GyroTorque belongs to kinetic type.** The only other well known kinetic type of transmission is the Torque Converter. Unlike GyroTorque, Torque Converters are inefficient except in a narrow speed range. fig3





**Fig4. Gyro e-generator**

It consists of a gyroscopic rotor that is held in an inner ring (sub-frame), the latter being free to pivot in an outer ring (main-frame). The mainframe is free to rotate in a transmission housing. The sub-frame is connected to the input mechanism by linkage (off-set pin), which pivots the sub-frame in the mainframe. The mainframe, the sub-frame and the linkage rotate together under the influence of gyroscopic reaction. The mainframe is connected to output (rotating shaft) and the transmission housing via one-way clutch.

## V. ADVANTAGES

The wind generator does not have any moving parts in contact, which eliminates the need for lubrication and reduces the wear and tear. Also, it's known that a structure can only have a certain frequency of oscillation, which limits the number of working hours. The design completely eliminates mechanical elements that can suffer wear and tear from friction, leading to an estimated 53% reduction in maintenance costs compared to traditional wind, avoiding changing oil or changing most of the mechanical parts along the 20 years of the multi-blade wind turbines life cycle. Of course, it's not immune to fatigue. The wind can cause twisting and displacement of the structure, primarily in the elastic rod, especially in the lower section that has to withstand greater forces. However, studies carried out by the company confirm that, the stress on the rod is far from working limits of materials, i.e. carbon fiber. Computational modeling estimates operational lifetime of the installation to be between 32 and 96 years. It currently takes up as much as 30% of the area of a conventional generator, with maximum amplitude around a diameter at the top. It can capture about 40% of the wind power contained in the air, which is a more than reasonable capacity, and at same height as many modern wind turbines. The system does lose some electrical conversion capacity (reaching 70% yield of a conventional alternator), because the design is so focused on avoiding wear and tear.

## VI. DISADVANTAGES

The biggest disadvantage to bladeless wind power generation power seems to be that it is a technology in the development phase and must rely on investors taking a risk. Of course all new technologies must go through this phase. Requires additional maintenance due to the gear mechanisms involved. The efficiency of the energy absorbed from the wind is comparatively less than that of the conventional wind turbine. The requirement of control systems for controlling the oscillation to meet the natural frequency of the mast and control of the frequency at higher velocity winds. The height of the mast can be increased based on the output required.

## VII. APPLICATIONS

Bladeless wind energy can be used in a variety of industries and applications, including marine off-grid systems, industrial applications, remote telemetry and mobile base stations and for houses, schools and farms.

**Bladeless energy for Agriculture:** Remote power systems are needed more and more in the world of farming. Whether it's for powering electric fencing, powering water pumping, powering lighting in stables and chicken sheds or powering underwater cameras at salmon farms – bladeless energy can be built in small scale as well as in big scale to meet the bill. **Small scale Bladeless wind Turbine energy for Homes:** The bladeless turbine will be focused to small scale production. This system it has been designed to bring energy to an off grid locations and matching it with solar panels. This is a cost-effective solution for houses where are existing solar installations and where having a non-expensive wind device will help to storage the energy produced while the solar is not producing. Also it will work for those villages where having energy could be a matter of life. It can be used for Residential Battery Charging and Grid Connection.

**Bladeless energy for Telecoms:** With more and more mobile communications and broadband technology being deployed in rural and remote areas, providing power for the transmission equipment can often be a real headache. Bladeless energy can provide off-grid power solutions needed to support telecom infrastructure.

**Bladeless wind energy for Off-grid Lighting:** Small scale bladeless wind turbine generators are ideal for providing efficient and reliable lighting in off-grid locations. The bladeless energy generates free renewable energy which is stored in a battery ready for when it gets dark to power public street lights, car parks and playgrounds. We can combine the bladeless energy with solar panels from our advanced solar range to ensure a continuous supply of renewable energy for a sustainable off-grid lighting solution.

**Bladeless energy for Signage and Signalling:** There is an increasing need for off grid signage and signaling in areas where grid connection is neither easy nor cost effective. Bladeless energy can provide cost effective and reliable off grid continuous power solutions for these remote power generation needs.

**Off-Grid Power for Rail Signalling:** Large parts of the rail network lack convenient mains electricity. Bladeless wind power generators can be installed near railway signals to supply power to the signaling systems.

## VIII. CONCLUSION

The bladeless wind generation system configuration has been considered and the obtained results appear to be very encouraging, even though they are based on simulations and model taken from the literature, which certainly can give only approximate description of involved dynamics. Tapping the wind for renewable energy using new approaches is gaining momentum in the recent years. The purpose of this paper is to provide some fundamental results on the bladeless wind system and serve as stepping stones for the future development of bladeless wind power generating system. The forces that is beneficial or useful to generate power in bladeless are different from those in conventional horizontal axial wind turbines. Our device captures the energy of vorticity, an aerodynamic effect that has plagued structural engineers and architects for ages (vortex shedding effect). As the wind bypasses a fixed structure, its flow changes and generates a cyclical pattern of vortices. Overall the project has been a success with all of the project requirements achieved. As the wind energy is powerful and consistent, the usage of conventional wind turbine for utilizing the wind energy in lesser area and cost is not possible. Hence bladeless wind energy helps us to achieve these criteria. This project has three main

advantages: Utilizing less area, Generation of high power, Economical. In summary, the generation of electricity is made possible by the small structure of bladeless turbine. High efficient power is generated. This project will satisfy the need of continuous generation of electricity. The overall project uses less space area hence highly economical for the rural electrification of India.

## IX.AKNOWLEDGMENT

We would like to express our gratitude and appreciation to all those who gave us the possibility to complete this report. A special thanks to our Guide Prof. S. S. kudte sir whose help, stimulating suggestions and encouragement, helped us to coordinate our paper especially in writing this paper. We would to appreciate the guidance given by other supervisor as well as the panels especially in our paper that has improved our presentation skills by their comment and tips.

## REFERENCES

- [1] Normatmosphäre. Deutsches Institut Fuer Normung, DIN ISO 2533, 1979.
- [2] IEC 61400: Wind turbines, part 12, power performance measurements of electricity producing wind turbines. International Electrotechnical Commission, IEC 61400-12-1 Ed.2005-12, 2005.
- [3] H.Mueller-Vahl, G. Pechlivanoglou, C.N. Nayeri, and C.O. Paschereit. Vortex generators for wind turbine blades: A combined wind tunnel and wind turbine parametric study. In Proceedings of ASME IGTI Turbo Expo 2012 ASME/IGTI June 11 -15, 2012, Copenhagen, Denmark. ASME, 2012.
- [4] G. Pechlivanoglou, S. Fuehr, C.N. Nayeri, and C.O. Paschereit. The effect of distributed roughness on the power performance of wind turbines. In Proceedings of ASME IGTI Turbo Expo 2010 ASME/IGTI June 14 -18, 2010, Glasgow, Scotland, UK. ASME, 2010.